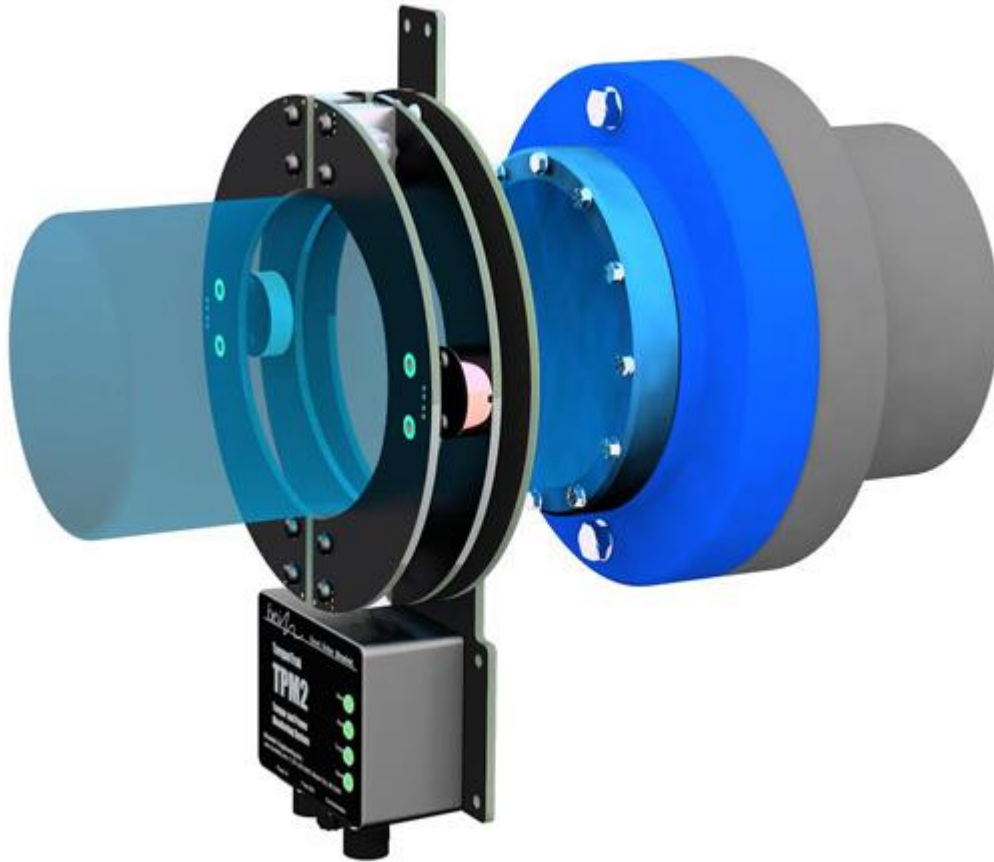


TORQUETRAK TPM2 INSTALLATION KIT

INSTALLATION INSTRUCTIONS



March 2016
Edition: 03/2016
Original instructions



PART LIST

PART LIST	UNITS
3/16 inch metal bracket	1
TPM2 order specific temporary positioner/spacer	1
Nuts & Bolts bag	1

STEP 1

Fix the plastic spacer on the « U » bracket.



Bolts can be tightened by hand.



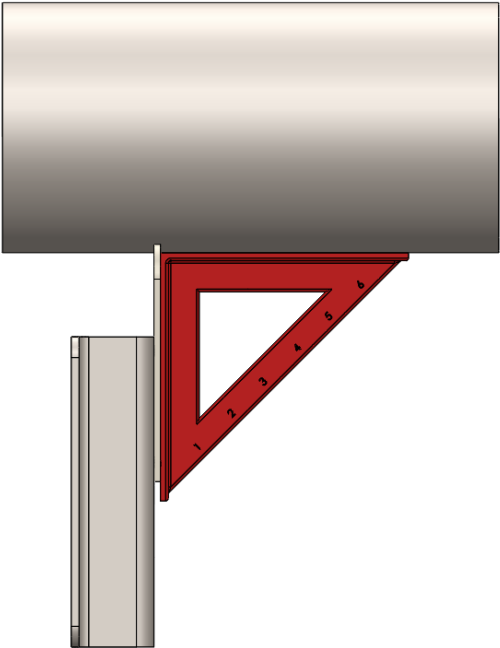
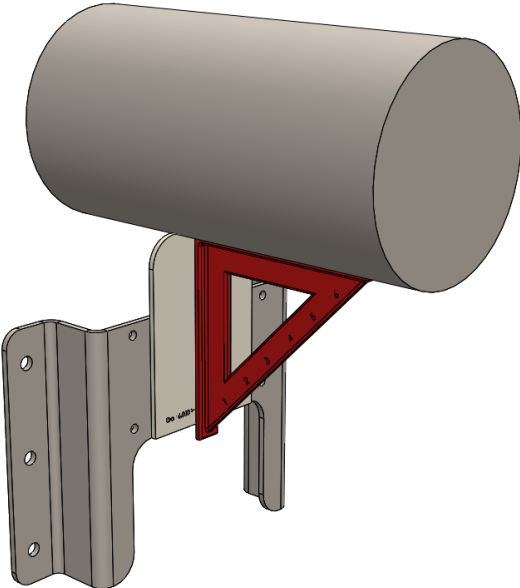
STEP 2

Fit the plastic spacer tightly under the shaft.



STEP 3

Make sure that the plastic spacer is perpendicular to the shaft, using a Speed Square.

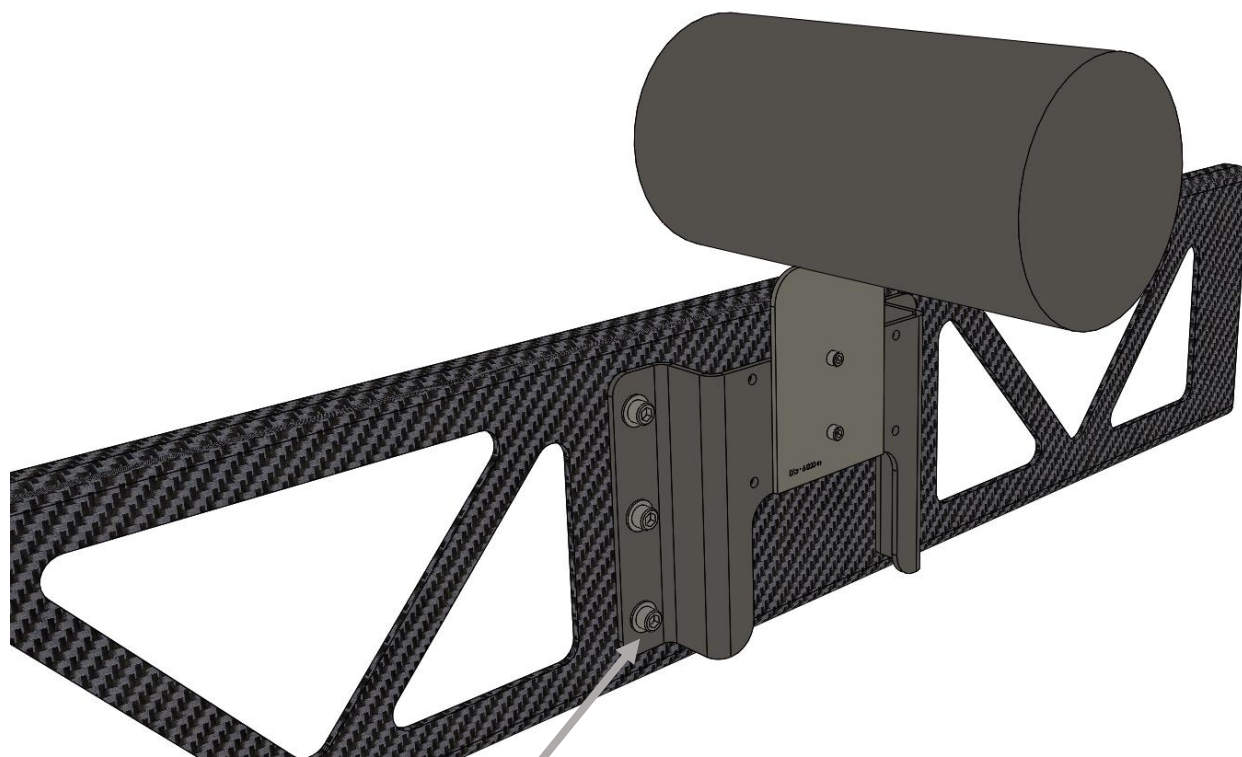


STEP 4

Weld the bracket on the previously installed beam.



You can also use M13 or ½" bolts to mate with non-ferrous structures such as aluminium and fiberglass.



4 x ½" / 13 mm screw holes

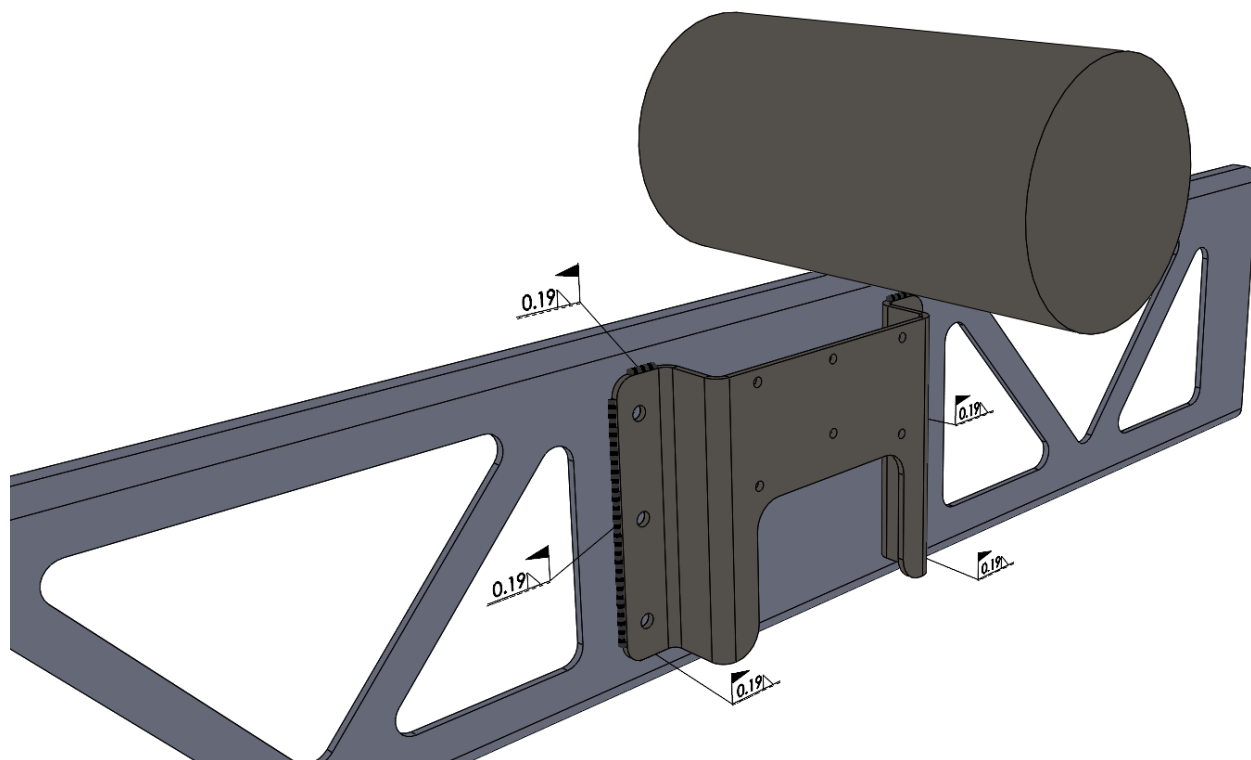
STEP 5

Remove the plastic spacer.

The bracket is ready for the installation of the TorqueTrak TPM2 unit.



This is the best moment to paint the beam and the bracket.

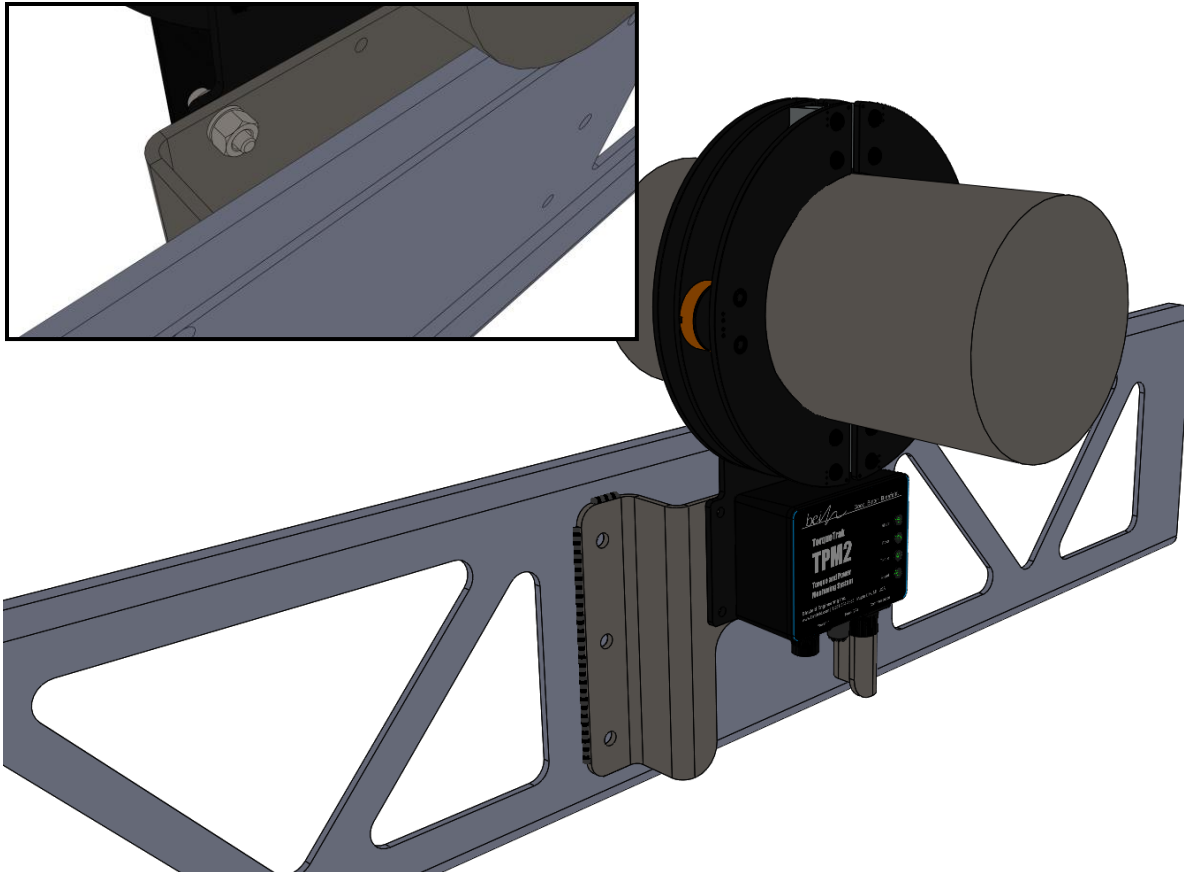


STEP 6

Install the TorqueTrak TPM2 enclosure using the 5/16" hardware provided with the kit.

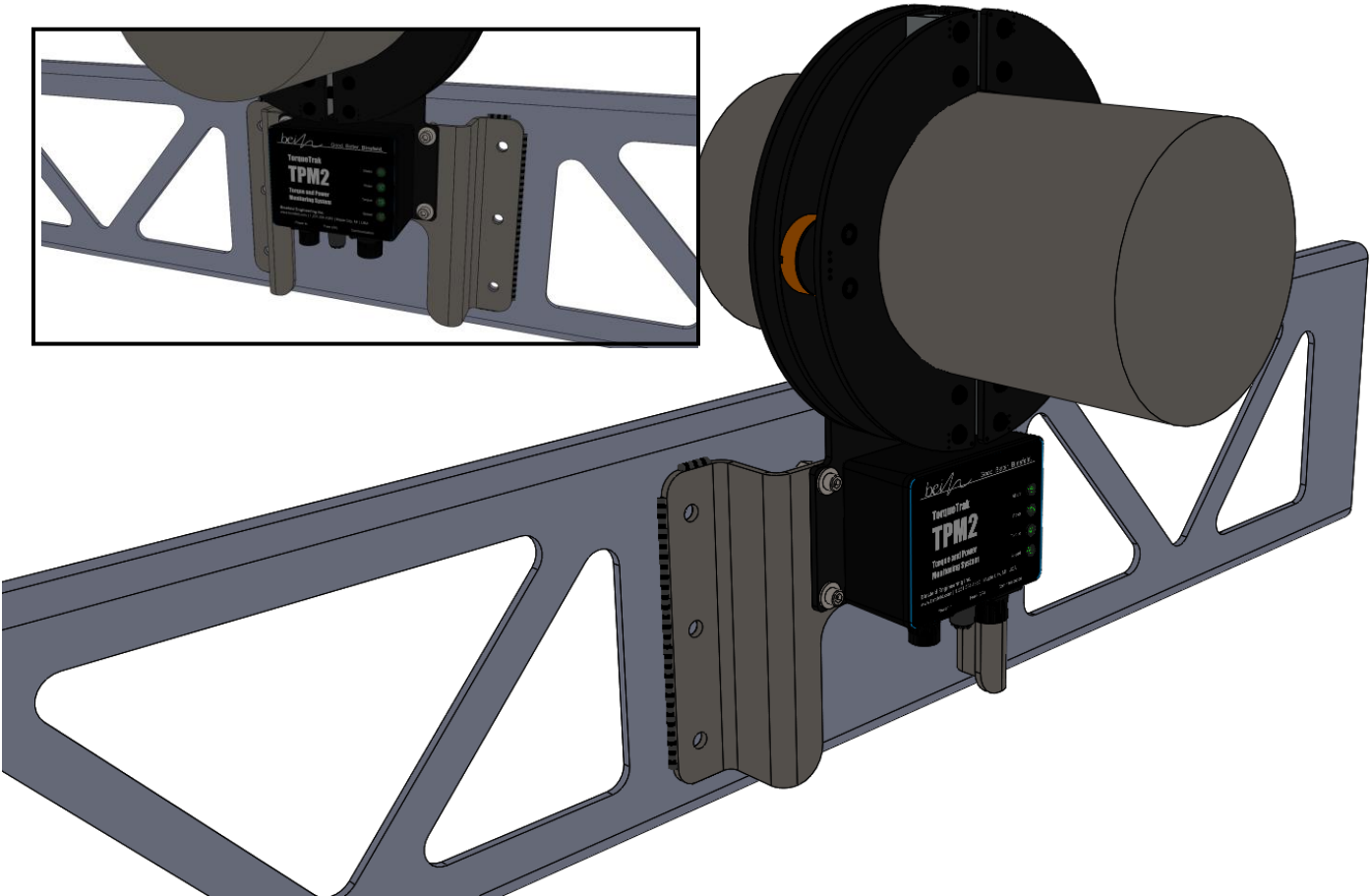


This assembly has a close fit tolerance; put all the screws in before tightening the nuts.



STEP 7

Refer to the TorqueTrak TPM2 manual for the next steps of the installation.



SUPPORT SERVICES

For technical support, installation services or request for repair please see the contact information below.

OpDAQ Systems Inc.

1, 8e Avenue, Rimouski

(Quebec), CANADA, G5L 4B4

Telephone : +1 418 727-5753

Fax : +1 418 725-3554

Email : Info@opdaq.com

www.opdaq.com

If any defects not caped under the warranty are found, OpDAQ Systems Inc. will repair the defect after providing the Customer with an estimate.