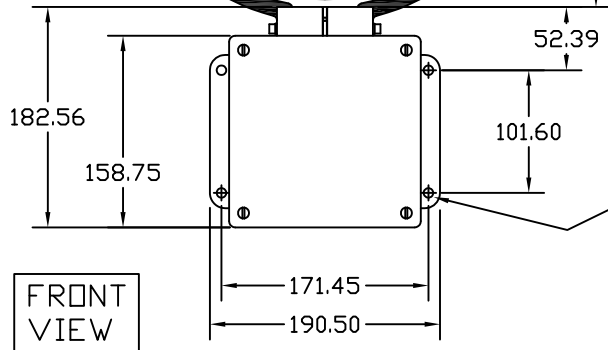
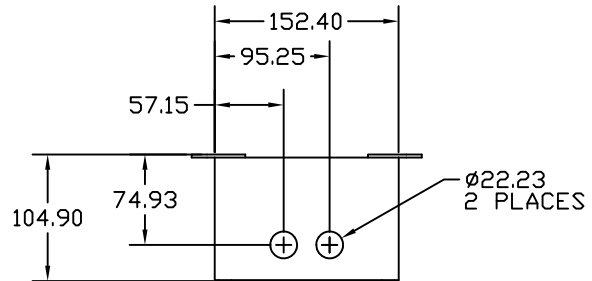


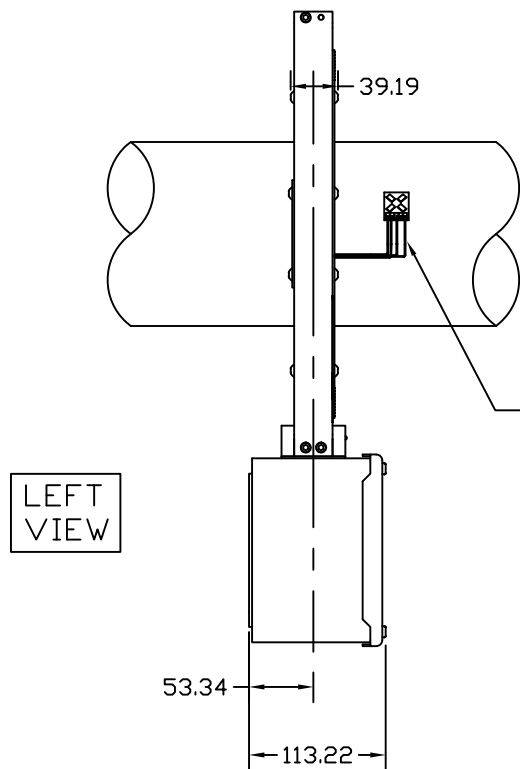
SHAFT DIA RANGE		A	B	C
304.80	355.60	258.83	233.43	492.25
355.60	406.40	284.23	258.83	543.05
406.40	508.00	335.03	309.63	644.65
508.00	609.60	385.83	360.43	746.25
609.60	711.20	436.63	411.23	873.25
711.20	812.80	487.43	462.03	974.85
812.80	914.40	538.23	512.83	1076.45
914.40	1016.00	589.03	563.63	1178.05
ALL DIMENSIONS IN MILLIMETERS				



BOLT SIZE M8 MAX
WASHER SIZE M19 \square



BOTTOM VIEW



LEFT VIEW

CUSTOMER
INSTALLED
STRAIN
GAGE

152.4 - 203.2 mm SYSTEM
SHOWN IN THIS EXAMPLE

**BINSFELD ENGINEERING INC.
TORQUETRAK REVOLUTION
MOUNTING DIMENSIONS**