

OpDAQ Systems

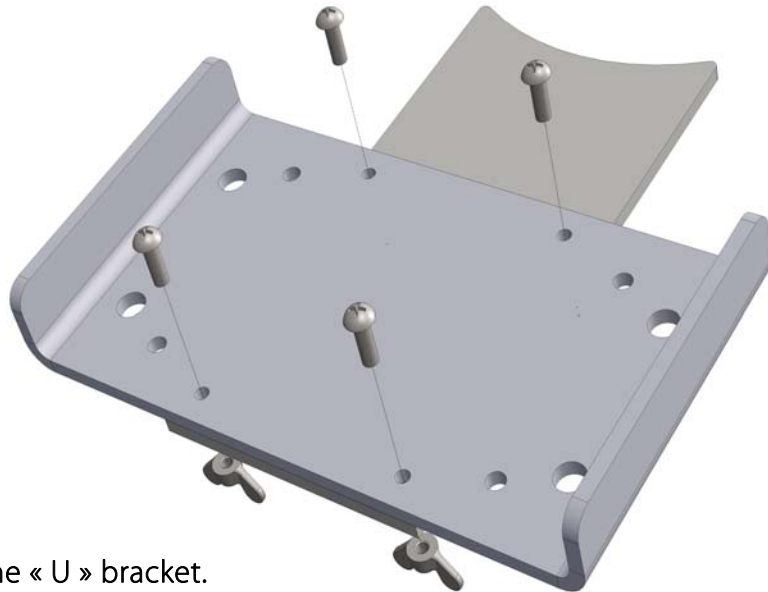
Torque-Trak Revolution Installation Kit

Install a Binsfeld's Torque Trak Revolution in few steps !

Include in the box:

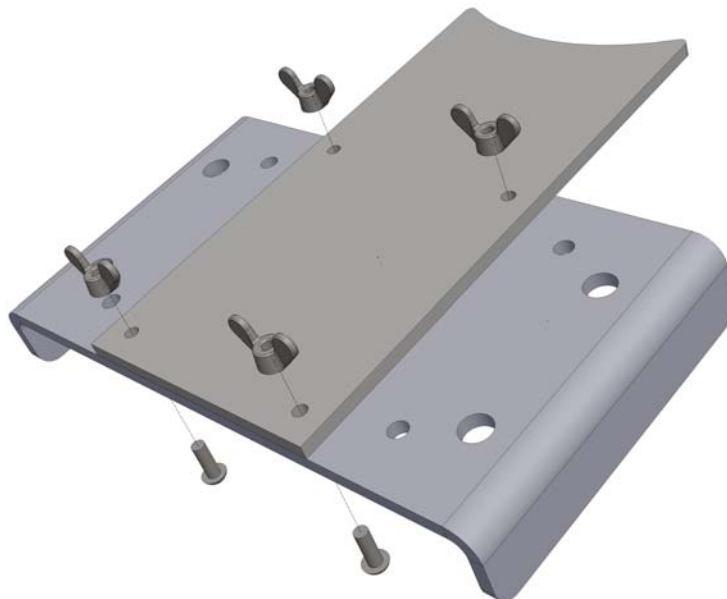
- ✓ ¼" inch Laser cutted « U » bracket
- ✓ *TT Revo order specific* temporary positioner/spacer
- ✓ Nuts & Bolts bag

STEP 1

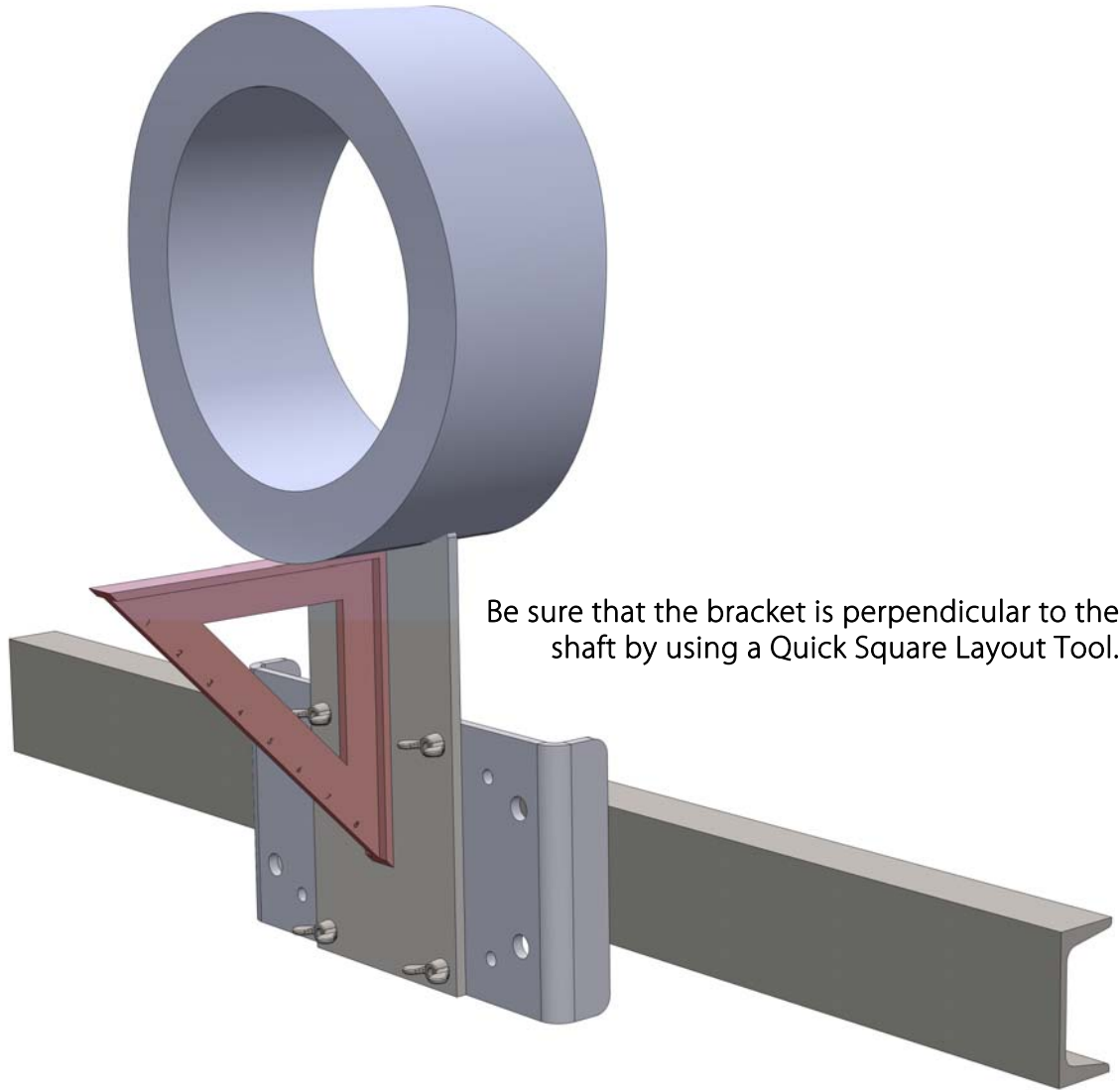


Fix the plastic spacer on the « U » bracket.

Tips : Bolts can be tightened by hands.

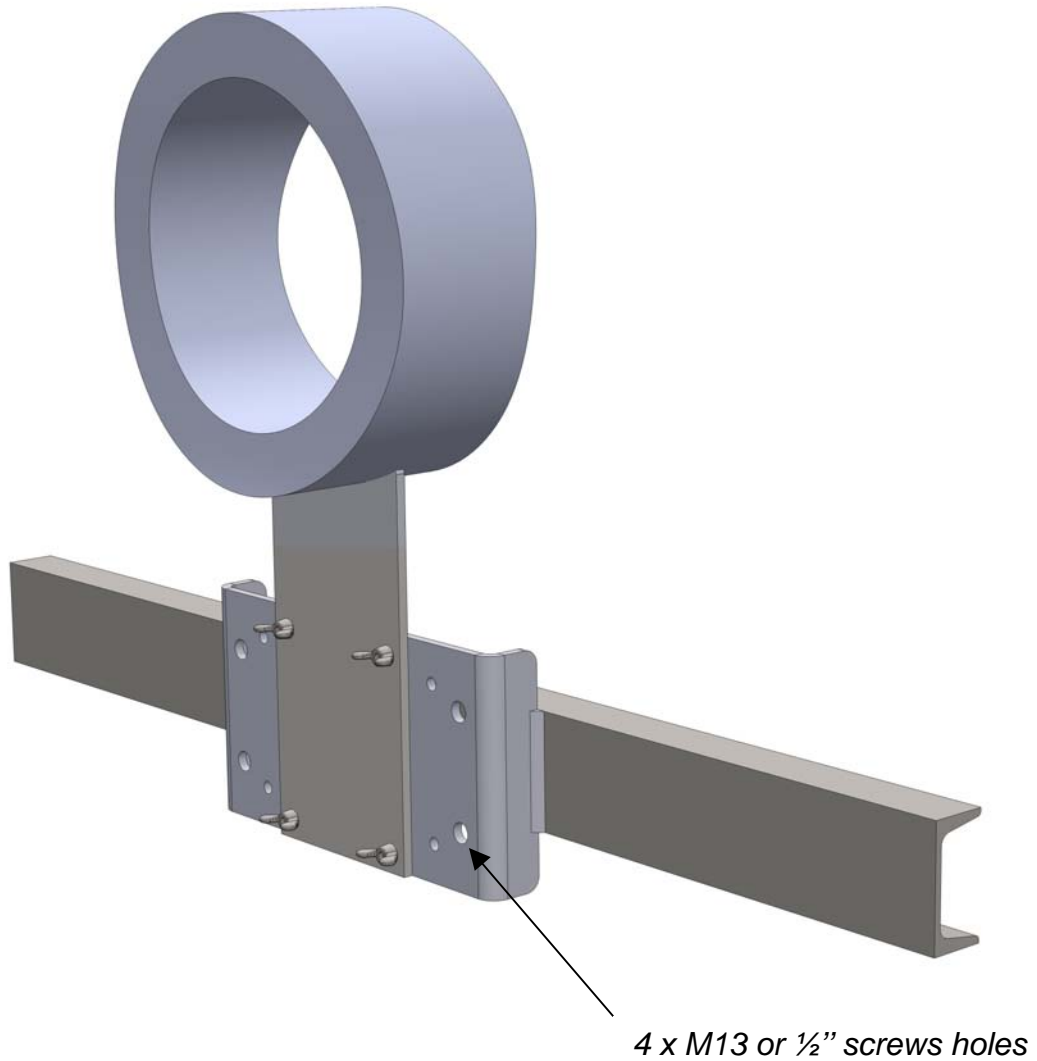


STEP 2



Be sure that the bracket is perpendicular to the shaft by using a Quick Square Layout Tool.

STEP 3

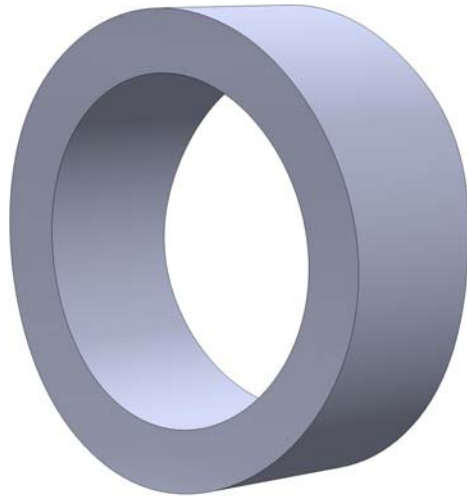


Mate the spacer with the shaft and weld the bracket on a previously installed steel beam.

You can also use M13 or 1/2" bolts option to mate with a non-ferrous structure. (aluminium, fiberglass, etc..)

Tip : Flip the bracket for a bolted mounting.

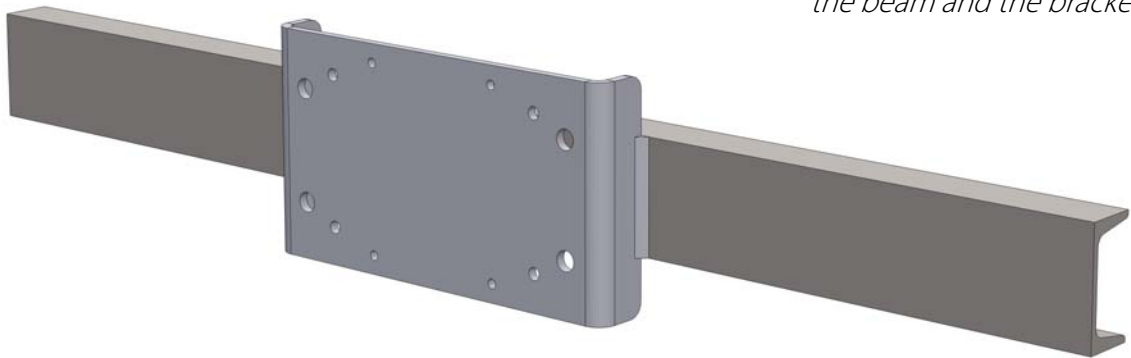
STEP 4



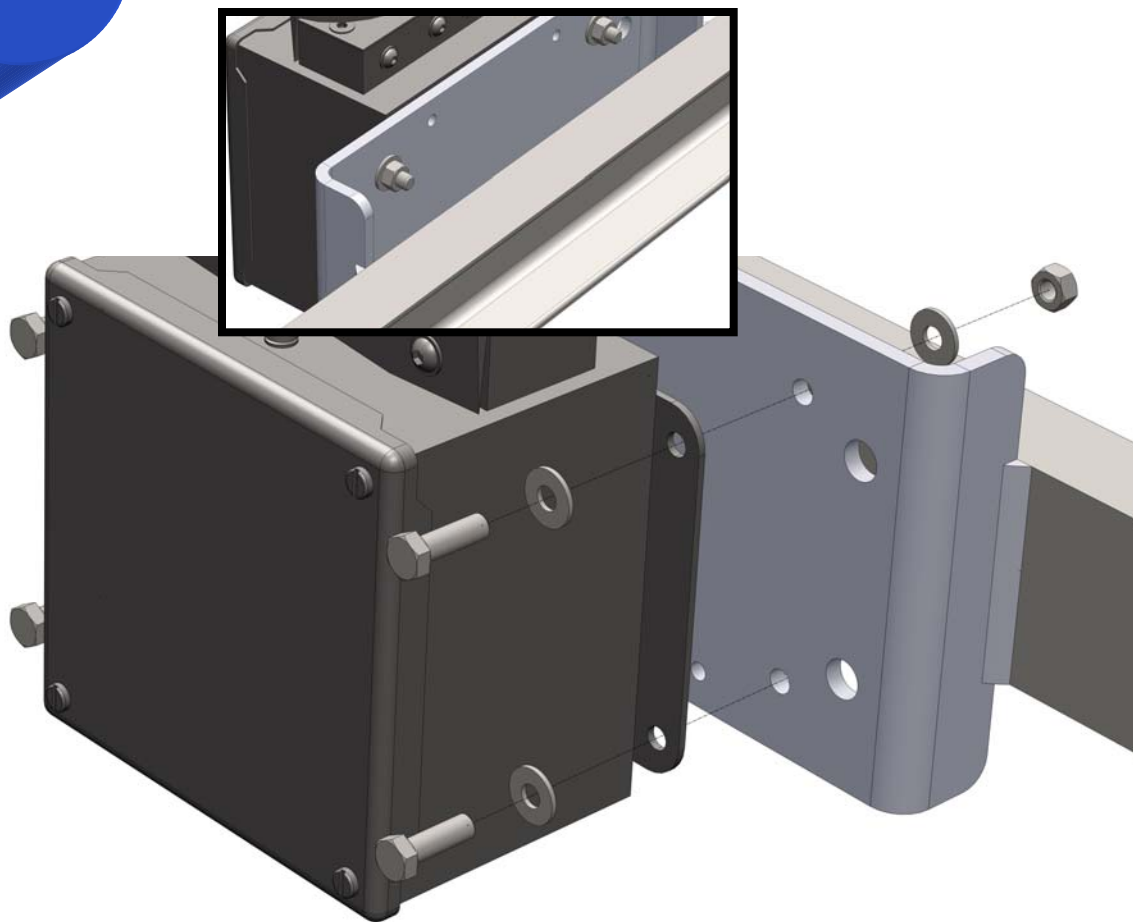
Remove the plastic spacer.

The bracket is ready to accept the
Torque-Trak Revolution unit.

*Tip: This is the best moment to paint
the beam and the bracket.*



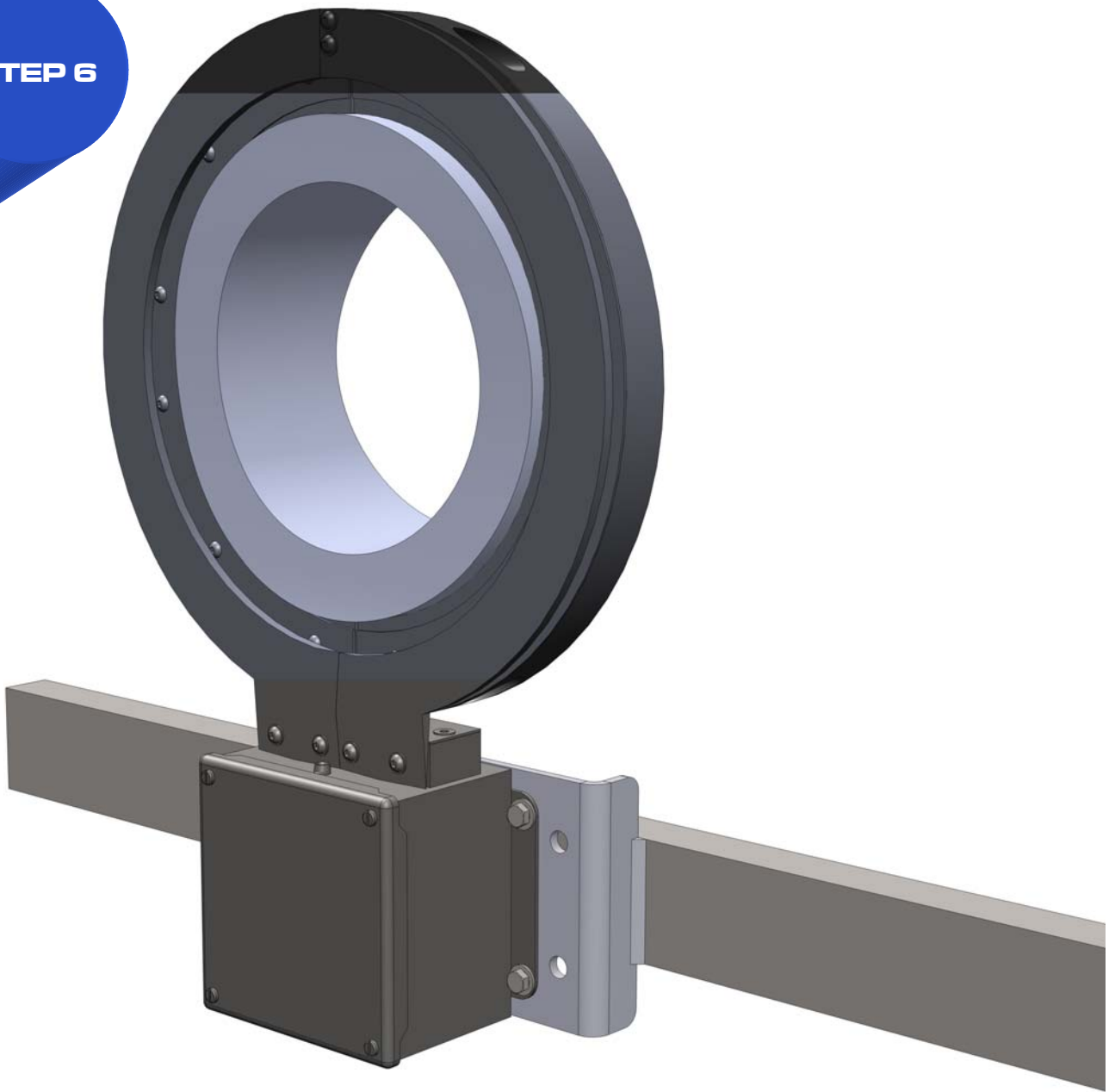
STEP 5



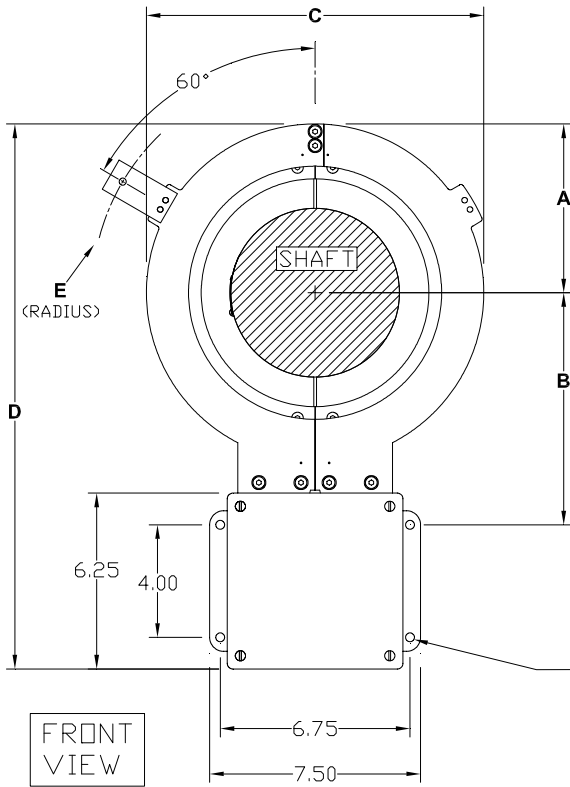
Install the Torque-Trak Revolution enclosure by using the 5/16" hardware provided with the kit.

Tip: This is a close fit tolerance assembly, put all the screws before tightening all the nuts.

STEP 6



Please refer to the Torque-Trak Revolution manual for the next steps of the installation.

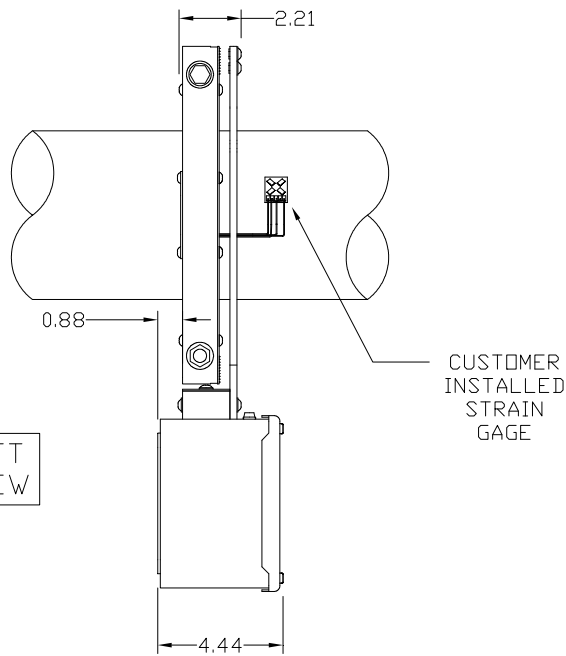


SHAFT DIA.	A	B	C	D	E
0-1	2.75	5.00	5.50	12.88	-----
1-2	3.25	5.50	6.50	13.88	-----
2-4	4.25	6.50	8.50	15.88	-----
4-6	5.00	7.25	10.00	17.38	-----
6-8	6.00	8.25	12.00	19.38	7.90
8-10	7.00	9.25	14.00	21.38	8.90
10-12	8.00	10.25	16.00	23.38	9.90

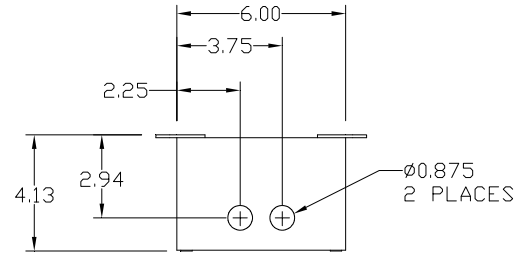
-ALL NUMBERS SHOWN IN INCHES-

MAX BOLT SIZE 0.313"
MAX WASHER SIZE 0.750"

FRONT VIEW



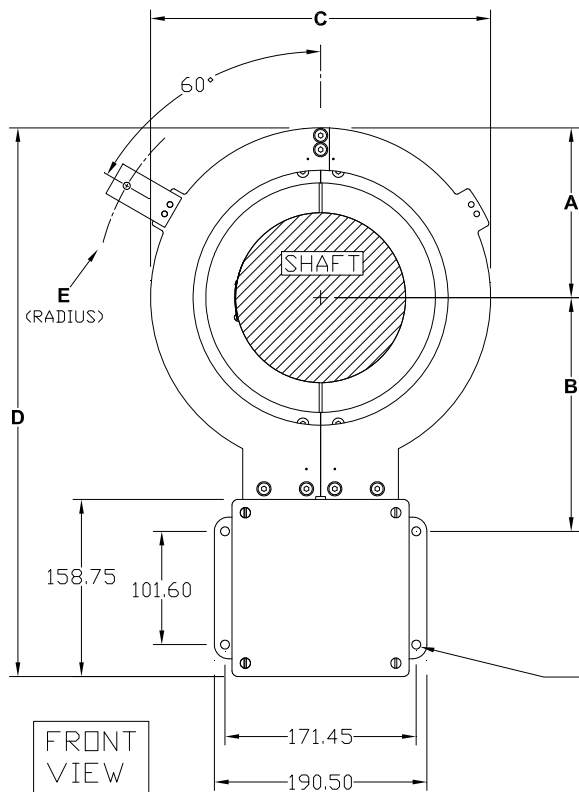
LEFT VIEW



BOTTOM VIEW

6-8 INCH SYSTEM
SHOWN IN THIS EXAMPLE

**BINSFELD ENGINEERING INC.
TORQUETRAK REVOLUTION
MOUNTING DIMENSIONS**

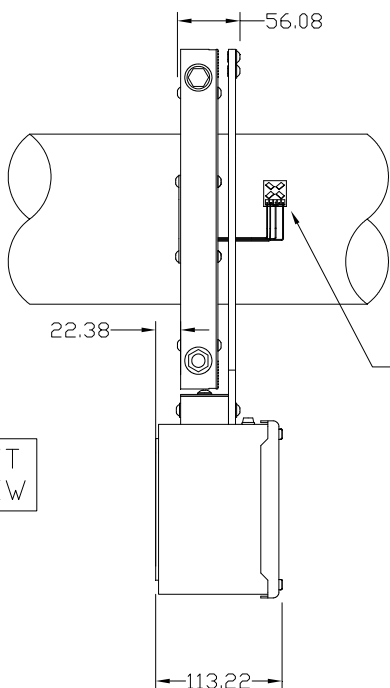


SHAFT DIA.	A	B	C	D	E
0 - 25.4	69.85	127.00	139.70	327.15	-----
25.4 - 50.8	82.55	139.70	165.10	352.55	-----
50.8 - 101.6	107.95	165.10	215.90	403.35	-----
101.6 - 152.4	127.00	184.15	254.00	441.45	-----
152.4 - 203.2	152.40	209.55	304.80	492.25	200.66
203.2 - 254.0	177.80	234.95	355.60	543.05	226.06
254.0 - 304.8	203.20	260.35	406.40	593.85	251.46

—ALL NUMBERS SHOWN IN MILLIMETERS—

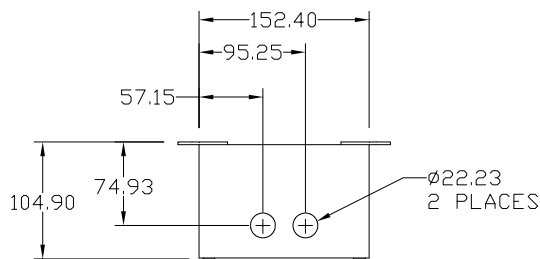
BOLT SIZE M8 MAX
WASHER SIZE M19 OD

FRONT
VIEW



LEFT
VIEW

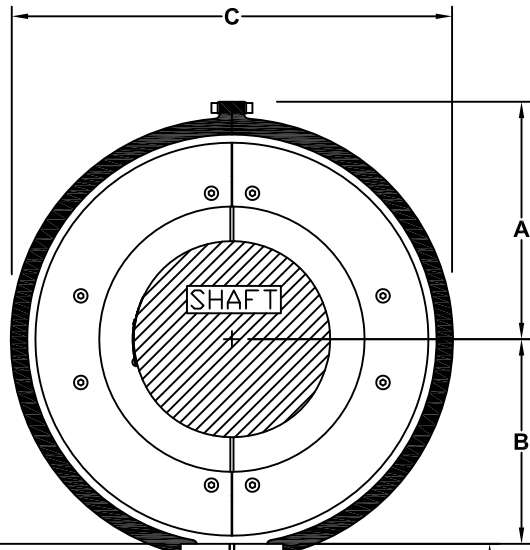
CUSTOMER
INSTALLED
STRAIN
GAGE



BOTTOM
VIEW

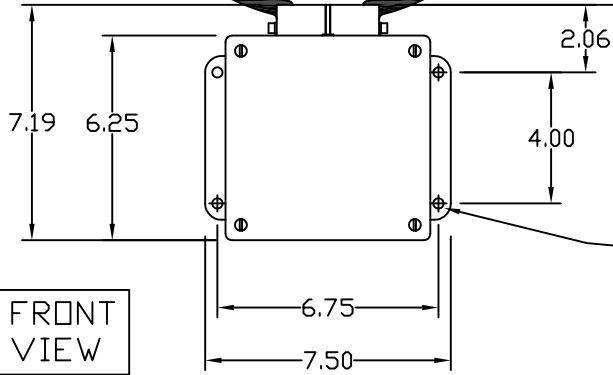
154.2 - 203.2 mm SYSTEM
SHOWN IN THIS EXAMPLE

**BINSFELD ENGINEERING INC.
TORQUETRAK REVOLUTION
MOUNTING DIMENSIONS**



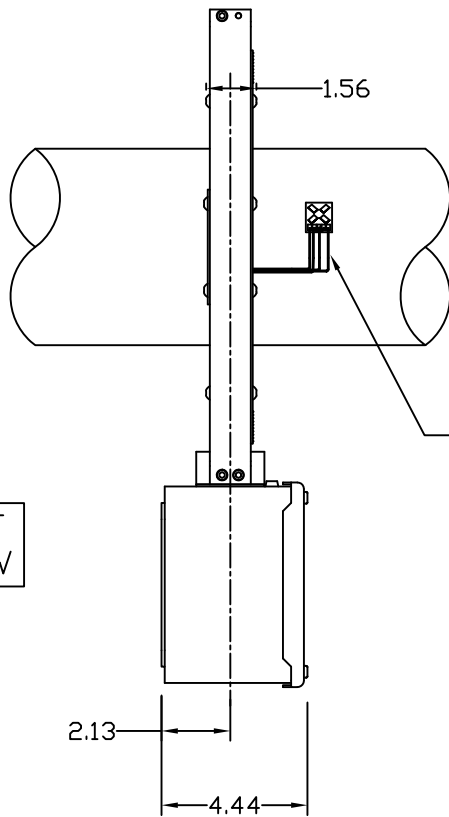
SHAFT DIA RANGE		A	B	C
12	14	10.19	9.19	19.38
14	16	11.19	10.19	21.38
16	20	13.19	12.19	25.38
20	24	15.19	14.19	29.38
24	28	17.19	16.19	34.38
28	32	19.19	18.19	38.38
32	36	21.19	20.19	42.38
36	40	23.19	22.19	46.38

ALL DIMENSIONS IN INCHES



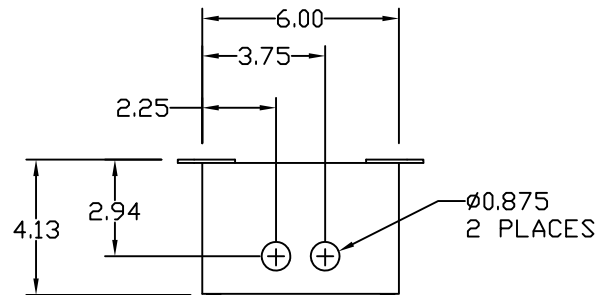
FRONT VIEW

MAX BOLT SIZE 0.313"
MAX WASHER SIZE 0.750"



LEFT VIEW

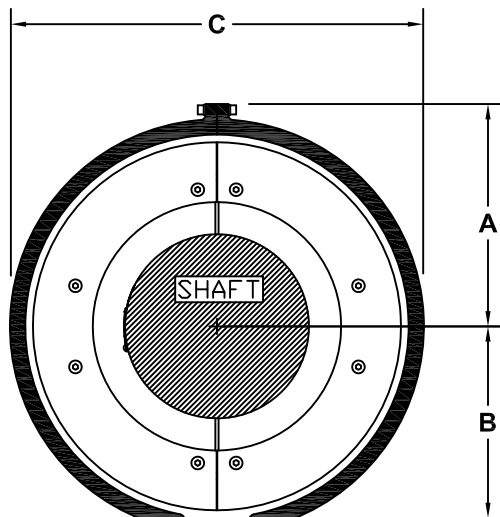
CUSTOMER INSTALLED STRAIN GAGE



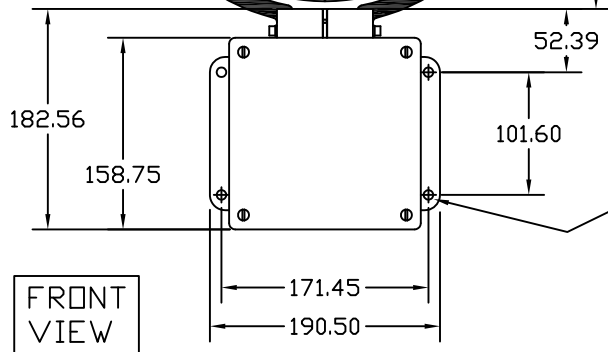
BOTTOM VIEW

6-8 INCH SYSTEM SHOWN IN THIS EXAMPLE

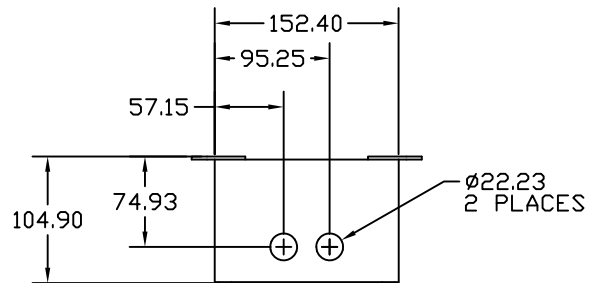
**BINSFELD ENGINEERING INC.
TORQUETRAK REVOLUTION
MOUNTING DIMENSIONS**



SHAFT DIA RANGE		A	B	C
304.80	355.60	258.83	233.43	492.25
355.60	406.40	284.23	258.83	543.05
406.40	508.00	335.03	309.63	644.65
508.00	609.60	385.83	360.43	746.25
609.60	711.20	436.63	411.23	873.25
711.20	812.80	487.43	462.03	974.85
812.80	914.40	538.23	512.83	1076.45
914.40	1016.00	589.03	563.63	1178.05
ALL DIMENSIONS IN MILLIMETERS				



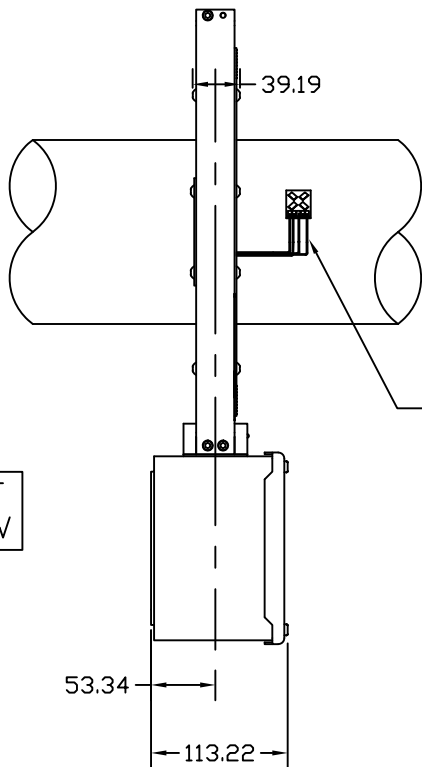
BOLT SIZE M8 MAX
WASHER SIZE M19 \square



FRONT VIEW

BOTTOM VIEW

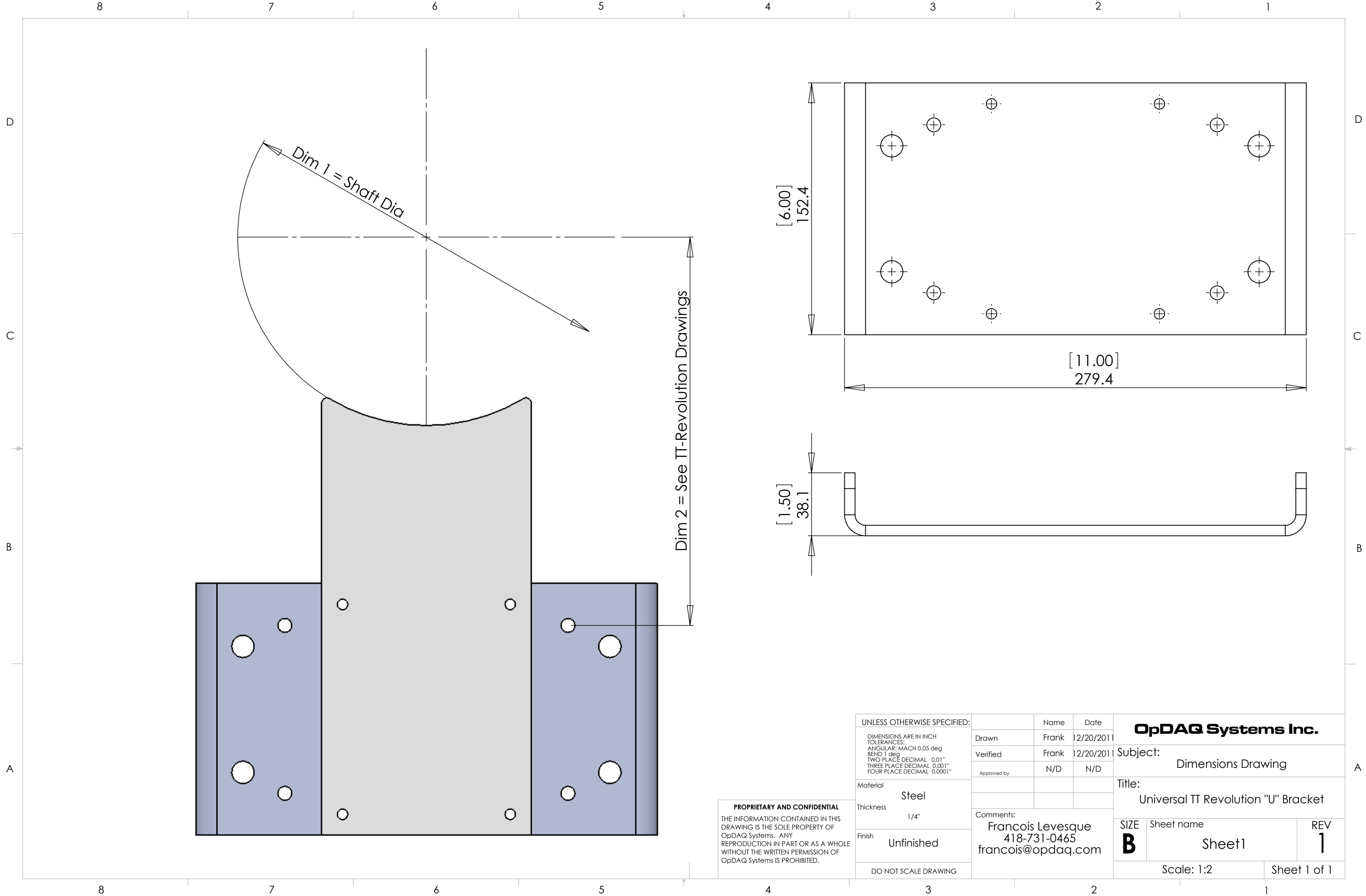
LEFT VIEW



CUSTOMER
INSTALLED
STRAIN
GAGE

152.4 - 203.2 mm SYSTEM
SHOWN IN THIS EXAMPLE

**BINSFELD ENGINEERING INC.
TORQUETRAK REVOLUTION
MOUNTING DIMENSIONS**



PROPRIETARY AND CONFIDENTIAL
 THE INFORMATION CONTAINED IN THIS DRAWING IS THE SOLE PROPERTY OF OpDAQ Systems. ANY REPRODUCTION IN PART OR AS A WHOLE WITHOUT THE WRITTEN PERMISSION OF OpDAQ Systems IS PROHIBITED.

UNLESS OTHERWISE SPECIFIED:	
DIMENSIONS ARE IN INCH	
TOLERANCES:	
ANGULAR: MACH 0,05 deg	
BEND 1 deg	
TWO PLACE DECIMAL 0,01"	
THREE PLACE DECIMAL 0,001"	
FOUR PLACE DECIMAL 0,0001"	
Material	Steel
Thickness	1/4"
Finish	Unfinished
DO NOT SCALE DRAWING	

Name	Frank	Date	12/20/2011
Drawn	Frank	12/20/2011	
Verified	Frank	12/20/2011	
Approved by	N/D	N/D	
Comments:			
Francois Levesque 418-731-0465 francois@opdaq.com			

OpDAQ Systems Inc.		
Subject: Dimensions Drawing		
Title: Universal TT Revolution "U" Bracket		
SIZE	Sheet name	REV
B	Sheet1	1
Scale: 1:2		Sheet 1 of 1