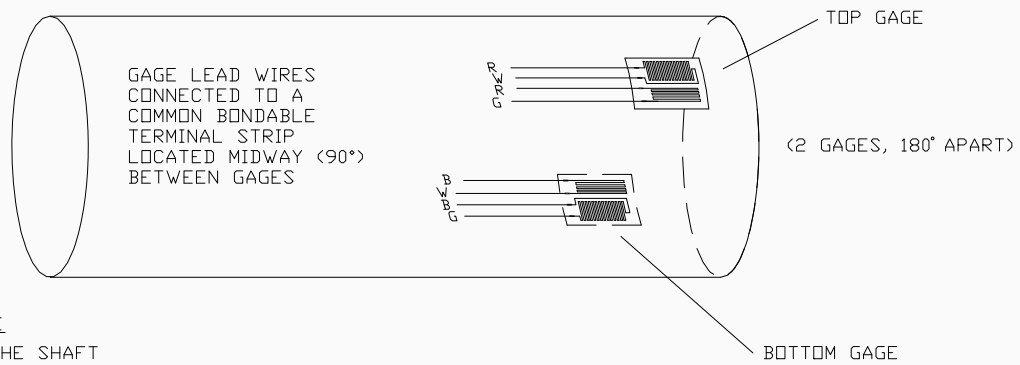


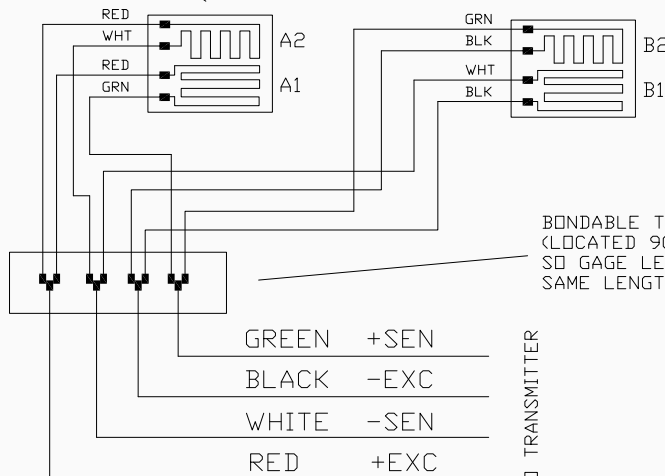


Good. Better. Binsfeld.

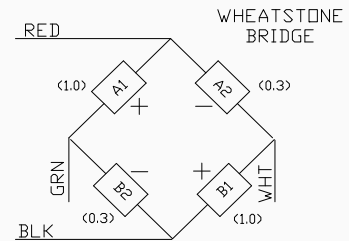
For AXIAL STRAIN (THRUST) Measurement  
 (Full bridge, temperature compensated, bending compensated output totaling 2.6 active gages)



TOP GAGE  
 (AS VIEWED ON THE SHAFT WITH THE GAGE FACING YOU)



BOTTOM GAGE  
 (AS VIEWED ON THE SHAFT WITH THE GAGE FACING YOU)



NOMINAL RESISTANCE VALUES

RED TO BLACK: 350 ohms  
 WHITE TO GREEN: 350 ohms  
 ALL OTHER TESTS: 262.5 ohms

STRAIN GAGE:  
 VISHAY MEASUREMENTS GROUP  
 RALEIGH, NC  
 PHONE: 919-365-3800  
 PART # CEA-06-250UT-350  
 (2 REQUIRED)

REVISION: 2

Leading Technology in Rotary Torque and Temperature Transmitters