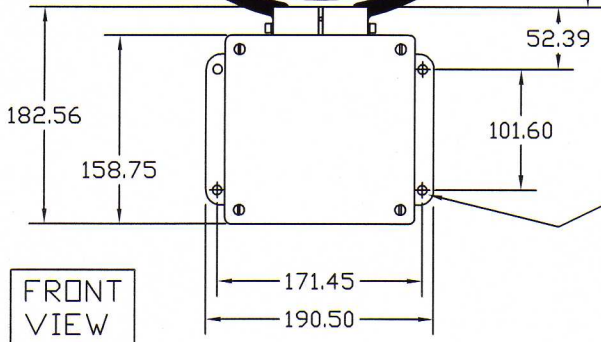
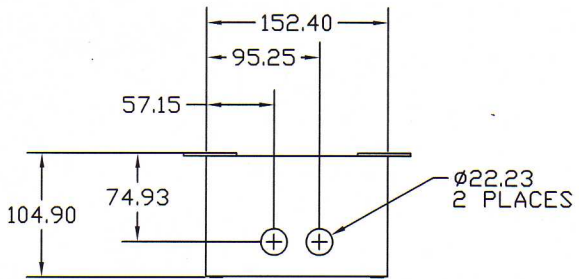


| SHAFT DIA. | A | B | C |
|---------------|--------|--------|--------|
| 0 - 25.4 | 100.08 | 74.68 | 174.75 |
| 25.4 - 50.8 | 112.78 | 87.38 | 200.15 |
| 50.8 - 101.6 | 138.18 | 112.78 | 250.95 |
| 101.6 - 152.4 | 157.23 | 131.83 | 289.05 |
| 152.4 - 203.2 | 182.63 | 157.23 | 339.85 |
| 203.2 - 254.0 | 208.03 | 182.63 | 390.65 |
| 254.0 - 304.8 | 233.43 | 208.03 | 441.45 |
| 304.8 - 355.6 | 258.83 | 233.43 | 492.25 |
| 355.6 - 406.4 | 284.23 | 258.83 | 543.05 |
| 406.4 - 457.2 | 309.63 | 284.23 | 593.85 |
| 457.2 - 508.0 | 335.03 | 309.63 | 644.65 |
| 508.0 - 558.8 | 360.43 | 335.03 | 695.45 |
| 558.8 - 609.6 | 385.83 | 360.43 | 746.35 |

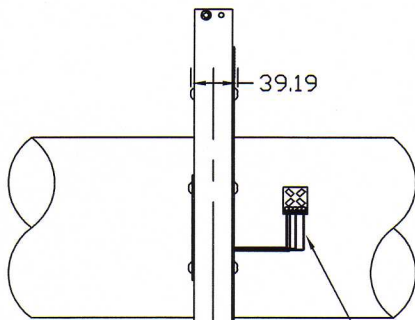
--ALL NUMBERS SHOWN IN MILLIMETERS--



FRONT VIEW



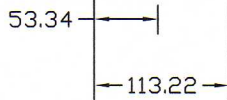
BOTTOM VIEW



CUSTOMER INSTALLED STRAIN GAGE

LEFT VIEW

152.4 - 203.2 mm SYSTEM SHOWN IN THIS EXAMPLE



**BINSFELD ENGINEERING INC.
TORQUETRAK REVOLUTION
MOUNTING DIMENSIONS**