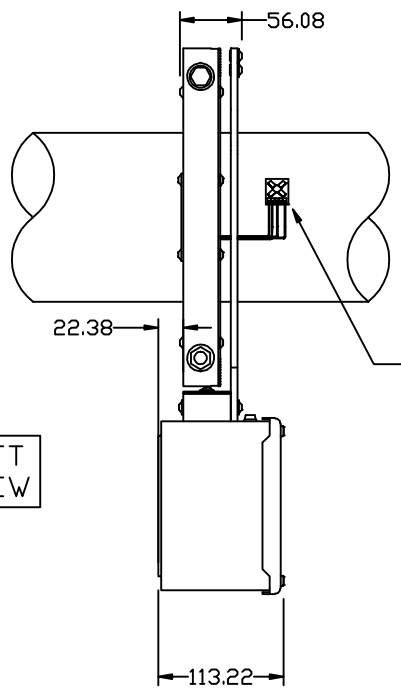


SHAFT DIA.	A	B	C	D	E
0 - 25.4	66.85	127.00	139.70	327.15	---
25.4 - 50.8	82.55	139.70	165.10	352.55	---
50.8 - 101.8	107.95	165.10	215.90	403.35	---
101.8 - 152.4	127.00	184.15	254.00	441.45	---
152.4 - 203.2	152.40	209.55	304.80	492.25	200.66
203.2 - 254.0	177.80	234.95	355.60	543.05	226.06
254.0 - 304.8	203.20	260.35	406.40	593.85	251.46
304.8 - 355.6	228.60	285.75	457.20	644.55	276.86

-ALL NUMBERS SHOWN IN MILLIMETERS-

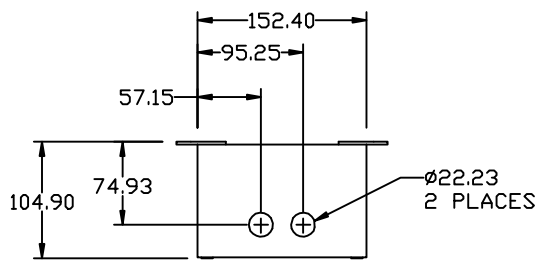
BOLT SIZE M8 MAX
WASHER SIZE M19 OD

FRONT VIEW



CUSTOMER
INSTALLED
STRAIN
GAGE

LEFT VIEW



BOTTOM VIEW

**154.2 - 203.2 mm SYSTEM
SHOWN IN THIS EXAMPLE**

**BINSFELD ENGINEERING INC.
TORQUETRAK REVOLUTION
MOUNTING DIMENSIONS**